

Order of Clutch Assembly

1. Flywheel
2. Carbon Disk
3. Center Hub (See "Figure 1")
4. Center Plate
5. Carbon Disk (for Twin, skip 6 & 7)
6. Center Plate
7. Carbon Disk
8. Pressure Plate
9. Clutch Cover

*****CAUTION!*****

Incorrect order will cause Clutch Malfunction or Breakage

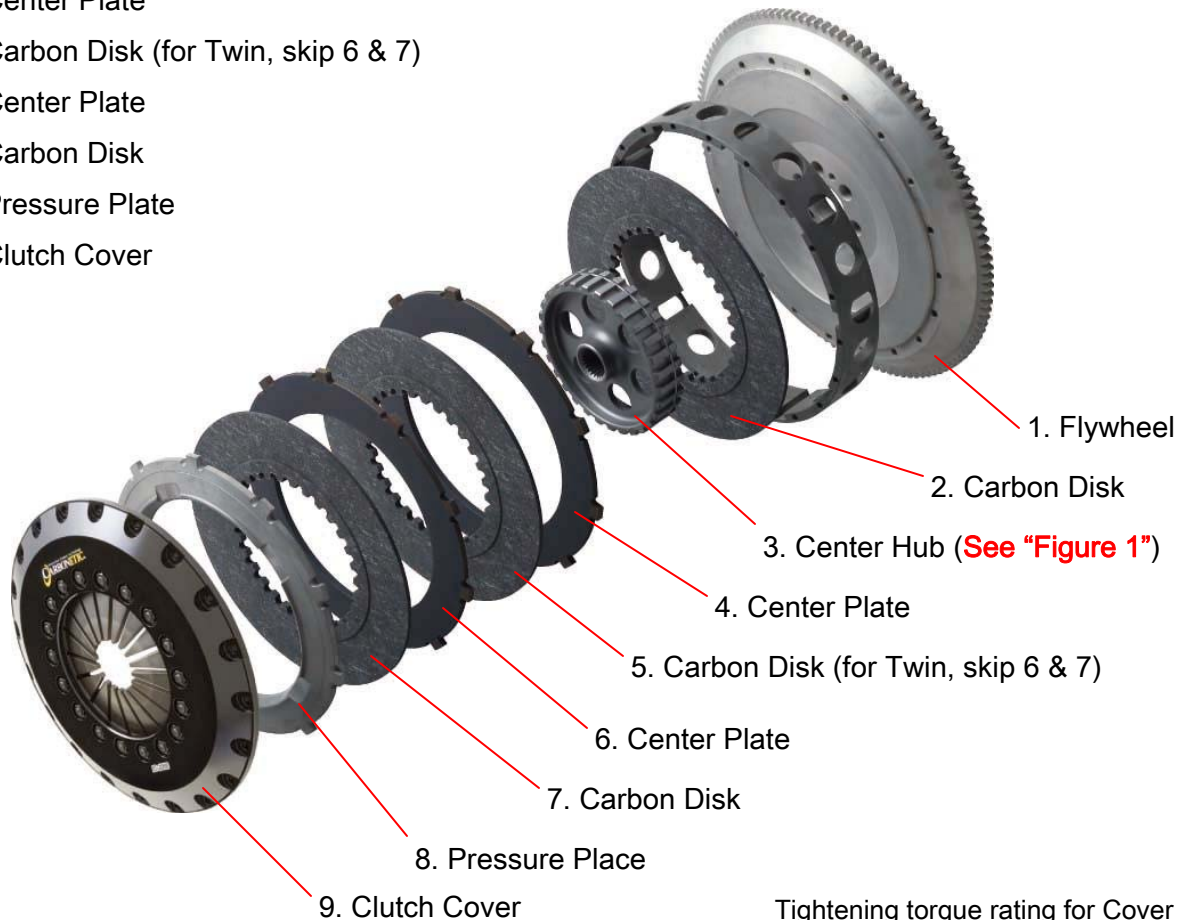


Figure 1

Tightening torque rating for Cover Bolts and Flywheel Bolts, please refer to "CARBONETIC Carbon Clutch Installation" Manual page 3.



Shorter Side MUST Face to Flywheel